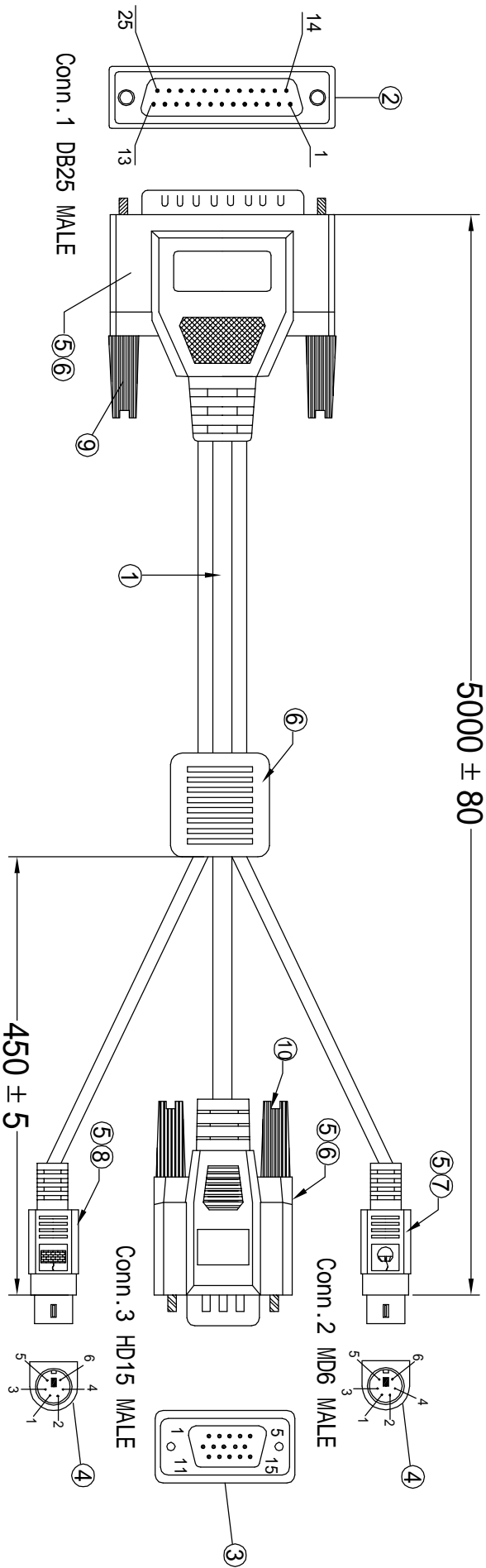


REV	DATE	REV. DIMENSION	DRAW	CHECK	APPROVE
△ 07.07.03		NEW DRAWING	HuRong		



- Electrical Properties:**
1. Contact Resistance: 2 ohm max
  2. Insulation Resistance: 10Mega ohm;
  3. HI -POT: 300V DC/10ms.
  4. All Materials With RoHS Standard

**MATERIAL LIST:**

NO.	NAME	DESCRIPTION	UNIT	Q'TY
1	CABLE	UL2919 3C*(1C+AL+S)+24AWG*9C+AL+D.W+BRAID+(28AWG*6C+D.W+AL)**2 JACKET COLOR:BLACK OD:(4.5*8.5*4.5) ± 0.15MM	mm	5000
2	CONNECTOR	DB25PIN MALE SOLDER BLACK SHELL NICKEL PLATED	pcs	1
3	CONNECTOR	HD15PIN MALE SOLDER BLACK MISSING 9PIN SHELL NICKEL PLATED	pcs	1
4	CONNECTOR	MD6PIN MALE SOLDER BLACK SHELL NICKEL PLATED	pcs	2
5	INSIDE MOLDING	LD PE INNER JACKET	g	14
6	OUTSIDE MOLDING	50P PVC COLOR PMS:BLACK	g	60
7	OUTSIDE MOLDING	50P PVC COLOR PMS:GREEN	g	6
8	OUTSIDE MOLDING	50P PVC COLOR PMS:PURPLE	g	6
9	SCREW	4*48.5 METAL SCREW BLACK COLOR	pcs	2
10	SCREW	4*49.5 METAL SCREW BLACK COLOR	pcs	2

Pin Assignment

Conn.1	Conn.3	Conn.1	Conn.2	Conn.1	Conn.4
4 Red	1	10	1	2	1
5 Green	2	11	3	14	3
6 Blue	3	7	4	15	4
11	5+10	9	5	1	35
16+17+18	6+7+8	S	S	S	S
21	12	S	S	S	S
20	13	S	S	S	S
7	14	S	S	S	S
9	15	S	S	S	S
S	S	S	S	S	S

CUSTOMER: FEN		<b>UNITEK</b> TECH-TOP TECHNOLOGY LTD.	
DWG NO.: F070707-01			
ITEM NO:		SCALE: NONE	
KMM-DB25-5M		DRAWN BY: HuRong	
PART NO: BG252717MM-5M		UNIT: mm	
		CHECKED BY:	
		REV: A	
		APPROVED BY:	