



TN500/TN500W Cloud Network Camera Quick Start Guide

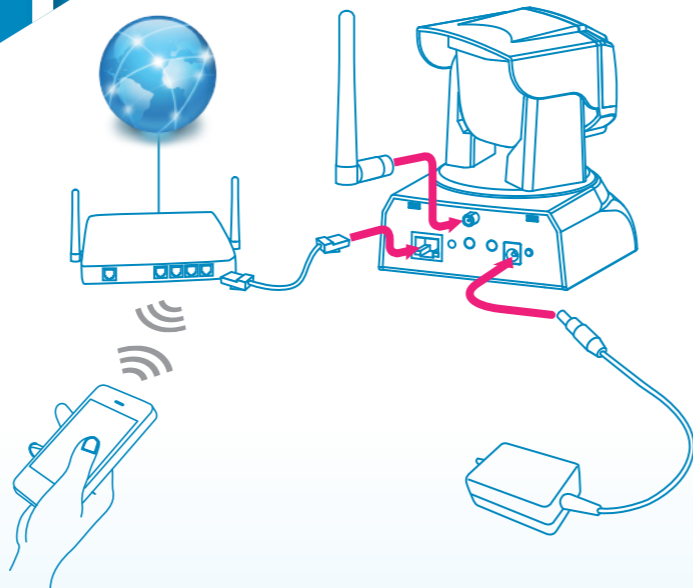
Technical Support Information

For any problems you may encounter, please refer to the user's manual on the installation CD. If you need further assistance, you can fill out the online form (www.comprousa.com/feedback/) or email us at support@comprousa.com.

Compro Technology is the registered logo of Compro Technology, Inc. C4Home is the registered trademarks of AVSecur Technology, Inc. All other company and product names mentioned in this document are registered trademarks of the respective companies. No part of this document may be copied or reproduced in any form or by any means without the prior written consent of Compro Technology, Inc. The information in this document is subject to change without prior notice.

Compro Technology, Inc. www.comprousa.com
Tel. +886 2 2918 0169 | Fax +886 2 2915 2389

3GA0310865



- Connect an Ethernet cable between IP camera and your network switch/router. (If you are using the T500W model, please attach the wireless antenna to your IP camera.)
- Attach the power adapter to the camera's power connector and connect the power plug to a power outlet.
- Make sure your smartphone is able to access the internet via your switch/router.

2



iPhone



C4Home app



Android



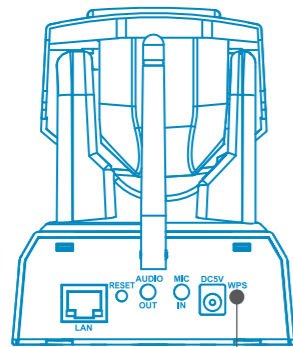
- Using iPhone or Android phone to scan the QR code above for download and install the C4Home app. (Also you can download the C4Home app from App Store or Google Play.)
- Start the C4Home app and register your personal account.

3



- Login the C4Home app and add new camera:
 1. Scan the QR code on the bottom side of camera (Or direct input the 10 digits camera ID under the QR code)
 2. Click "iWizard" to search/install camera from local network.
- After installation, now you can watch the live video of camera from C4Home app or login to the www.c4home.com from PC.

Wireless Setup (TN500W Only)



Press the WPS button for 2 seconds to setup

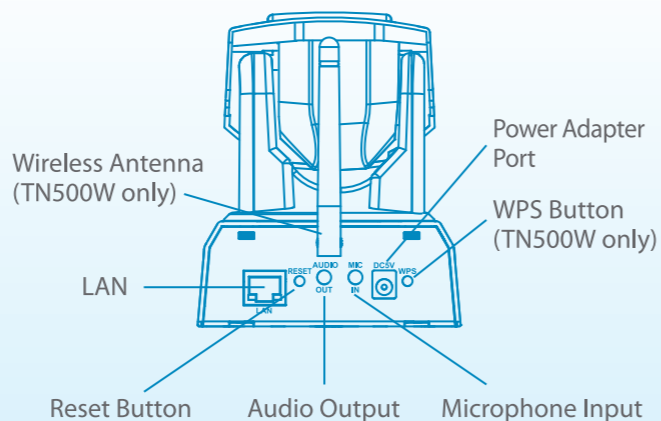
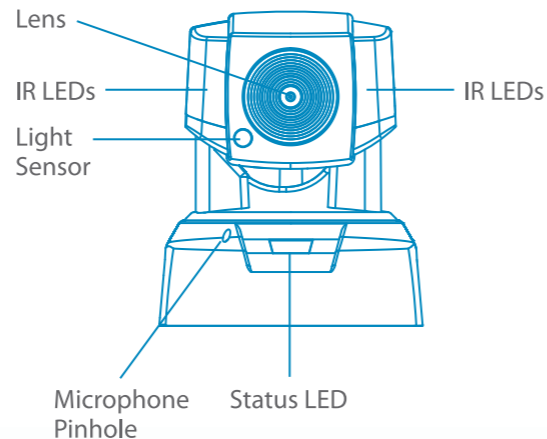
Search for available Wi-Fi access points and enter the passphrase manually

- Make sure the IP camera is connected to the local network via network cable.
- Make sure the wireless antenna of TN500W is attached to the IP camera.
- The smartphone must be in the same local network in order to successfully search and configure the camera.
- Start C4Home app and enter "iWizard" on the "Add Camera" page to search your camera and setup wireless connection.
- After the wireless connection is successfully setup, you can remove the ethernet cable.

Using WPS setup

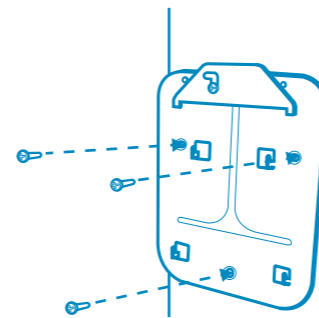
- Make sure your Wi-Fi router supports WPS and enabled, press the WPS button on the router, then press the WPS button on the IP camera for 2 seconds. The blue LED will be blinking during the WPS setup process and resume to steady lighting when the connection is completed.
- Add the camera to the list of your C4Home app.

Name of Each Part

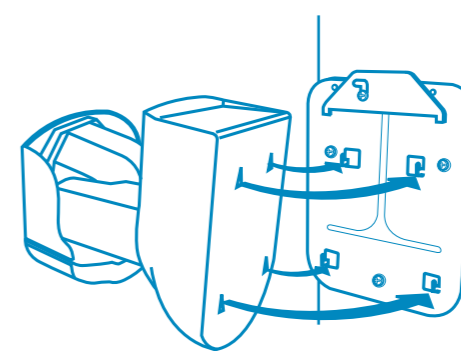


Mount the Camera

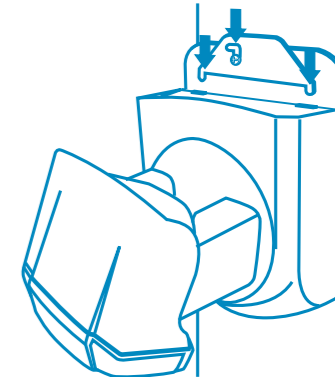
Follow the instruction below to mount the camera on the wall or ceiling.



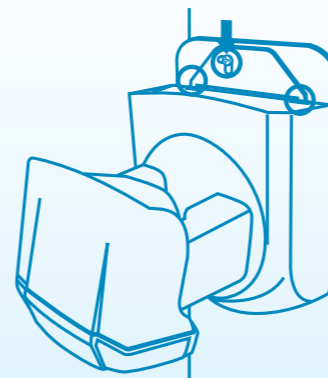
1 Fix the mounting plate.



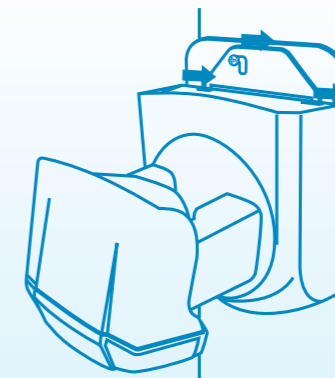
2 Attach the IP camera.



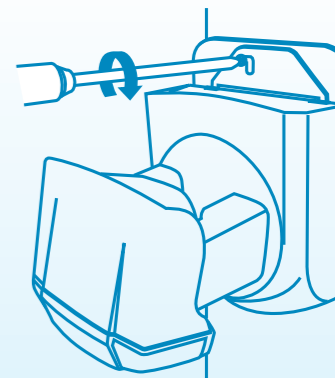
3 Loosen the screw that fixes the trapezoid-shaped fastening bracket



4 Let fastening bracket slide into its position on the camera base (as circled).



5 Push and hold the fastening bracket to the right.



6 Tighten the screw on the fastening bracket