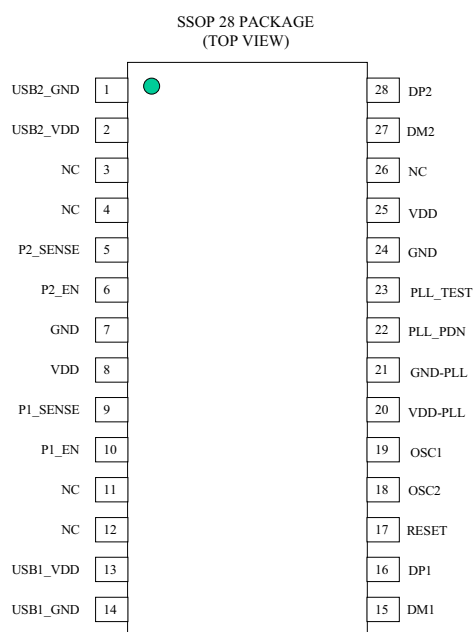


PL-2302 - USB Bridge Device

Features

- ❑ USB host to host communication
- ❑ Full compliance with the Universal Serial Bus Specification Version 1.1
- ❑ USB full speed connection
- ❑ Dual data buffer supporting two-way data transfer
- ❑ Low power consumption
- ❑ Support suspend and resume for power management
- ❑ Support remote wake-up
- ❑ PnP driver running on Win98
- ❑ Bus powered from either USB port
- ❑ Suitable for SOHO and mobile network environment
- ❑ On chip USB transceiver
- ❑ On chip oscillator using one 12M Hz crystal
- ❑ No glue logic needed; can be embedded in small space
- ❑ 28 Pins SSOP package



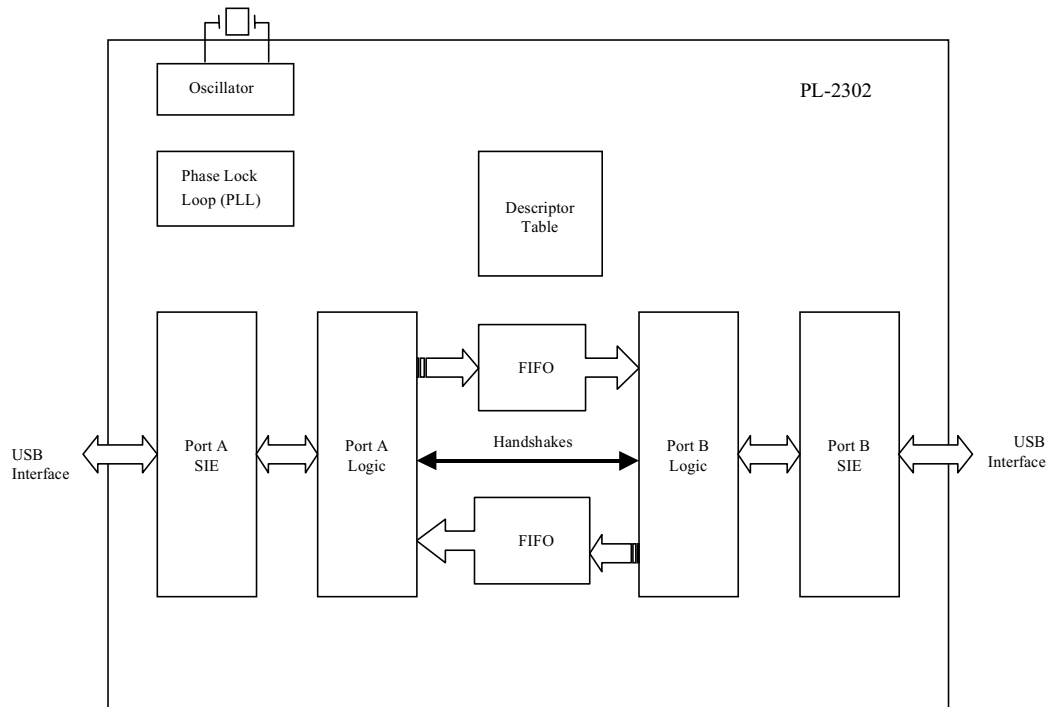
1. Introduction

The PL-2302 Network Bridge provides a quick and easy solution to construct a network via USB port without adding any Network Interface Card. It allows users to connect two or more computers. With a more advanced bus protocol and operation system, this USB bridge cable could offer much higher bandwidth and easier user interface.

This chip is embedded into a link cable in which both connectors are upstream ports, which could be connected to either a PC's USB connector or a USB hub's downstream port. By means of switching and protocol changing in the chip, any two PCs or USB hosts can communicate with each other.

The bulk-type data format is adopted for maximum speed. In addition, data are allowed to flow in both directions simultaneously without any performance compromising. The PCs can control the device using standard USB command, while the data flow is directed by a vendor-specific scheme.

As shown in the block diagram, this ASIC contains two USB units working independently. Together with the two FIFOs and control logics in between, these two USB units can exchange data with no blocking. All the clock oscillator, PLL, voltage regulators, USB transceivers, and power-on reset circuits are integrated on chip; no additional glue logics are needed. This chip is designed for handy cable utility.



PL-2302 Block Diagram

2. Driver Support

The PL-2302 network driver combines mini-port device driver and USB host to host bridge driver. The mini-port device driver emulating the NIC (Network Interface Card) contains the media access control functions to transmit and receive data from the network. The USB host to host bridge driver connects two USB hosts, which can transfer data through the USB port.

The PL-2302 network driver can implement network functions by transferring network protocol to USB command, so an USB network can be easily constructed without adding any network cards. Due to full NDIS (Network Driver Interface Specification) implementation, users can use standard Windows interface such as Windows Explorer, Network Neighborhood to share programs, files and other devices. Also they can play multi-player games or access Internet through single phone line by shareware.

3. Signal Definition

The following table describes each pin:

I – Input signal

O – Output signal

I/O – Bi-directional signal

P – Power/Ground

N – No connect

Pin	Name	Type	Description
1	USB2_GND	P	Port 2 USB ground
2	USB2_VDD	P	Port 2 USB VDD
3	NC	N	No connect
4	NC	N	No connect
5	P2_SENSE	I	port 2 sense
6	P2_EN	O	Port 2 power enable
7	GND	P	Ground
8	VDD	P	Power
9	P1_SENSE	I	port 1 sense
10	P1_EN	O	Port 1 power enable
11	NC	N	No connect
12	NC	N	No connect
13	USB1_VDD	P	Port 1 USB VDD

14	USB1_GND	P	Port 1 USB ground
15	DM1	I/O	Port 1 USB DMINUS signal
16	DP1	I/O	Port 1 USB DPLUS signal
17	RESET	I	System Reset
18	OSC2	O	Crystal oscillator output
19	OSC1	I	Crystal oscillator input
20	VDD	P	VDD
21	GND	P	Ground
22	PLL_PDN	I	PLL trigger
23	PLL_TEST	I	PLL test mode control
24	GND_PLL	P	PLL Ground
25	VDD_PLL	P	PLL Power
26	NC	N	No connect
27	DM2	I/O	Port 2 USB DMINUS signal
28	DP2	I/O	Port 2 USB DPLUS signal

4. PL-2302 Descriptors

- Device
- Configuration
- Interface
- Endpoint.
 - Control endpoint. The default endpoint 0 is used to retrieve the state and Control.
 - Interrupt endpoint. Accessed as endpoint 1, each interrupt data is one bytes.
 - Bulk Out endpoint. Accessed as endpoint 2, the maximum data length per Packet is 64 bytes, which meets the upper limit of USB protocol.
 - Bulk In endpoint. Accessed as endpoint 3, the maximum data length per packet is also 64 bytes.
- Status
 - Device status
 - Interface status
 - Endpoint 0 status
 - Endpoint 1 status
 - Endpoint 2 status
 - Endpoint 3 status

4.1 String

The PL-2302 supports the Manufacturer strings:

Offset	Content	Note
0	04h	String Index 0
1	03h	
2:3	0409h	Language ID for English (United States).
4	32h	String Index 1
5	03h	
6:53	00h, 'P'; 00h, 'r'; 00h, 'o'; 00h, 'l'; 00h, 'i'; 00h, 'f'; 00h, 'i'; 00h, 'c'; 00h, ' '; 00h, 'T'; 00h, 'e'; 00h, 'c'; 00h, 'h'; 00h, 'n'; 00h, 'o'; 00h, 'l'; 00h, 'o'; 00h, 'g'; 00h, 'y'; 00h, ' '; 00h, 'l'; 00h, 'n'; 00h, 'c'; 00h, '.';	“Prolific Technology Inc.” 00h is padded for UNICODE.

The String index 0, by USB Specification, is defined as Language ID. The PL-2302 supports only manufacturer ID accessed by String index 1.

3.2 Device Descriptor

A device descriptor contains the global definitions of a device. There is only one device description for the device.

Device Descriptor

Offset	Field	Size	Value	Description
0	Blength	Byte	12h	Size of this descriptor, in bytes.
1	BdescriptorType	Byte	01h	DEVICE descriptor type.
2	BcdUSB	Word	0100h	USB Specification Release Number.
4	BdeviceClass	Byte	00h	
5	BdeviceSubClass	Byte	00h	
6	BdeviceProtocol	Byte	00h	
7	BmaxPacketSize0	Byte	08h	Maximum packet size for endpoint 0.
8	IdVender	Word	067Bh	Vender ID.
10	IdProduct	Word	0001h	Product ID.
12	BcdDevice	Word	0000h	Release number (BCD) 0.0.
14	iManufacturer	Byte	01h	Index of string descriptor describing manufacturer.
15	iProduct	Byte	00h	Index of string descriptor describing this product.
16	iSerialNumber	Byte	00h	Index of string descriptor describing the device serial number.
17	bNumConfigurations	Byte	01h	One possible configurations.

4.2 Configuration Descriptor

The default configuration descriptor is used, which contains only one interface. When accessed, all the configuration descriptor, the interface descriptor, and all the endpoint descriptors are returned.

Configuration Descriptor

Offset	Field	Size	Value	Description
0	bLength	Byte	09h	Size of this descriptor, in bytes.
1	bDescriptorType	Byte	02h	CONFIGURATION descriptor type.
2	wTotalLength	Word	0027h	Total length of data returned for this configuration.
4	bNumInterface	Byte	01h	One interface for this device.
5	bConfigurationValue	Byte	01h	
6	iConfiguration	Byte	00h	
7	bmAttributes	Byte	A0h	Bus powered, remote wakeup.
8	MaxPower	Byte	32h	Maximum power consumption is 100 mA.

4.3 Interface Descriptor

The interface descriptor contains all relevant definitions fully describing the device. There is only one setting for the interface.

Interface Descriptor

Offset	Field	Size	Value	Description
0	bLength	Byte	09h	Size of this descriptor, in bytes.
1	bDescriptorType	Byte	04h	INTERFACE descriptor type.
2	bInterfaceNumber	Byte	00h	
3	bAlternateSetting	Byte	00h	
4	bNumEndpoints	Byte	03h	
5	bInterfaceClass	Byte	FFh	Vender-Specific class
6	bInterfaceSubClass	Byte	00h	
7	bInterfaceProtocol	Byte	00h	
8	iInterface	Byte	00h	

4.4 Endpoint Descriptors

4.4.1 Control Endpoint Descriptor

Since endpoint 0 is used as the default control endpoint, there is no dedicated standard or class-specific control endpoint descriptor.

4.4.2 Interrupt Endpoint Descriptor

Endpoint 1 Descriptor

Offset	Field	Size	Value	Description
0	bLength	Byte	07h	Size of this descriptor, in bytes.
1	bDescriptorType	Byte	05h	ENDPOINT descriptor type.
2	bEndpointAddress	Byte	81h	
3	bmAttributes	Byte	03h	Transfer type is INTERRUPT.
4	wMaxPacketSize	Word	0001h	1 Byte
6	bInterval	Byte	01h	Polling on every 1 ms interval.

4.4.3 Bulk-Out Endpoint Descriptor

Endpoint 2 descriptor

Offset	Field	Size	Value	Description
0	bLength	Byte	07h	Size of this descriptor, in bytes.
1	bDescriptorType	Byte	05h	ENDPOINT descriptor type.
2	bEndpointAddress	Byte	02h	
3	bmAttributes	Byte	02h	Transfer type is BULK.
4	wMaxPacketSize	Word	0040h	64 bytes.
6	bInterval	Byte	00h	Ignored.

4.4.4 Bulk-In Endpoint Descriptor

Endpoint 3 Descriptor

Offset	Field	Size	Value	Description
0	bLength	Byte	07h	Size of this descriptor, in bytes.
1	bDescriptorType	Byte	05h	ENDPOINT descriptor type.
2	bEndpointAddress	Byte	83h	
3	bmAttributes	Byte	02h	Transfer type is BULK.
4	wMaxPacketSize	Word	0040h	64 bytes.
6	bInterval	Byte	00h	Ignored.

5. Device Requests

The PL-2302 can respond to two types of requests:

- Standard USB device request.
- Vendor-specific requests.

5.1 Standard Requests

The PL-2302 can respond to the following standard requests:

- Clear Feature.
- Get Configuration
- Get Descriptor
- Get Interface
- Get Status
- Set Address
- Set Configuration
- Set Feature
- Sync Frame

5.2 Vender-Specific Requests

Vendor-Specific Request

Label	bmRequestType	bRequest	wValue	wIndex	wLength	Data
ClearQuickLinkFeature	01000001b	1	7:0	0	0	None
SetQuickLinkFeature	01000001b	3	7:0	0	0	None
ClearHardwareFeature	01000001b	1	3:0	1	0	None
SetHardwareFeature	01000001b	3	3:0	1	0	None

The ClearQuickLinkFeature and SetQuickLinkFeature are used to control the handshakes during data transfer; the ClearHardwafeFeature and SetHardwareFeature are used to control some special-purposed hardware feature. They are 8-bit configuration for the QuickLinkFeature and 4-bit configuration for the HardwareFeature. Each bit should be set by the Set_xxx command and cleared by Clear_xxx command.

5.2.1 QuickLinkFeature

QuickLinkFeature Configuration

Name	Bit	Definition	Default
S_EN	7	Suspend Enable: 1: Suspend enable 0: Suspend disable	0
RESERVE D	6:5	Reserved	00
RESET_O	4	Reset Output Pipe: Reset the bulk-out transfer, and notify the USB peer as RESET_IN 1: Reset output pipe 0: normal function	0
RESET_IN	3	Reset Input Pipe: Reset the bulk-in transfer, and notify the USB peer	0

		as RESET_O 1: Reset input pipe 0: Normal function	
TX_C	2	Transfer Complete: Telling the USB peer the transfer being complete, no more data will be sent 1: Transfer complete 0: Transfer Not complete or no transfer at all	0
TX_REQ	1	Transfer Request: Telling the USB peer a transfer request being issued 1: Transfer request 0: No transfer request	0
PEER_E	0	Peer Exist: Telling the USB peer its existence and normal function 1: Peer exist 0: Peer not exist	0

S_EN is the Suspend-enable bit. At initial state, the PL-2302 does not support the Suspend function. When Set, it will support the standard USB Suspend scheme. By default, the client driver will set the S_EN bit. To be reminded, this device also supports the standard remote wake-up protocol defined in USB Spec. 1.0

The reset bits, bit 0 through bit 4, are handshakes between the two USB hosts. The set-clear schemes are from opposite ports, except PEER_E bit. That means, bit 1 through bit 4 have to be set from one port and be cleared from the other port. While bit 0 is set and clear from the same port.

After detecting a PL-2302 being connected, the PC will boot the USB client driver up, and set the PEER_E bit to inform the PC on the other side that the peer exists. Usually, the software will not reset the PEER_E bit. While one USB port is unplugged from one PC, the associated PEER_E bit will be reset. This action will tell its PC counterpart, the peer is not existing.

The TX_REQ and TX_C handshakes are used to initiate and finish data transfer. At first, PC A set TX_REQ to inform PC B a transfer request. PC B then acknowledges by clearing TX_REQ. After PC A finish the data transfer, it sets the TX_C. Again, PC B acknowledges by clearing TX_C.

The RESET_IN and RESET_O are used to reset the data pipes in error conditions. When one PC is reset, RESET_IN resets all the FIFO and state machines on the input

pipe. The status is also passed to the PC counterpart as RESET_O. Such a status should be cleared from there to finish the whole operation. Likewise, when one PC asserts RESET_O, it resets all the FIFO and state machines on the output pipe, and informs its PC counterpart as RESET_IN, which then should be cleared from there.

5.2.2 HardwareFeature

The HardwareFeature configuration is reserved for test items during development phase. They are not supposed to mean anything after then.

HardwareFeature Configuration

Name	Bit	Definition	Default
SHUT_EN	3	Clock Shut-down Enable: 1: The oscillator works even in Suspend 0: Shutdown the oscillator in Suspend to save power	0
C_SHORT	2	Counter Short: 1: PLL is inhibited for 32 cycles after the oscillator starts to oscillate. 0: PLL waits for 64k cycle before working	0
Reserved	1	Reserved	0
S_SHORT	0	Suspend Short: 1: Suspend counter counts up to 512 cycles (without getting SOF), the device will Suspend itself. 0: Suspend counter counts to 32k cycles to get into Suspend	0

6. INTERRUPT ENDPOINT OPERATIONS

The handshakes passing and status report are by way of interrupt pipe. Each interrupt data payload consists of 1 byte. The data format is as following:

Interrupt Byte:

Name	Bit	Description	Default
RESERVED	7:6	RESERVED	00
TX_RDY	5	Transfer Ready: Showing the readiness of the local USB port for data transfer 1: Transfer ready 0: Transfer busy	0
RESET_O	4	Reset Output Pipe: Combining RESET_IN bit of the USB counterpart's QuicklinkFeature Configuration and	0

		the local USB's RESET_O 1: Reset output pipe 0: normal function	
RESET_IN	3	Reset Input Pipe: Combining RESET_O bit of the USB counterpart's QuicklinkFeature Configuration and the local USB's RESET_IN 1: Reset input pipe 0: Normal function	0
TX_C	2	Transfer Complete: Reflect TX_C bit of the USB counterpart's QuicklinkFeature Configuration 1: Transfer complete 0: Transfer Not complete or no transfer at all	0
TX_REQ	1	Transfer Request: Reflect TX_REQ bit of the USB counterpart's QuicklinkFeature Configuration 1: Transfer request 0: No transfer request	0
PEER_E	0	Peer Exist: Reflect PEER_E bit of the USB counterpart's QuicklinkFeature Configuration 1: Peer exist 0: Peer not exist	0

7. Electrical Characteristics

7.1 Absolute Maximum Ratings

Power Supply Voltage ----- -0.3 to 6.0 V
 Input Voltage ----- GND-0.3 to V_{DD}+0.3 V
 Storage Temperature ----- -40 to 125 °C

7.2 DC Characteristics

Parameter	Symbol	Min	Typ	Max	Units
Power Supply Current	I _{DD}	0.5	19	24	mA
Input Voltage					
Low	V _{IL}	--	--	0.3* V _{DD}	V
High	V _{IH}	0.7* V _{DD}	--	--	V
Output Voltage					
Low	V _{OL}	--	--	0.4	V
High	V _{OH}	3.5	--	--	V

Input leakage current	I _L	-1	--	1	uA
Tri-state leakage current	I _{OZ}	-10	--	10	uA
Input Capacitance	C _{IN}	--	3	--	pf
Output Capacitance	C _{OUT}	--	3	--	pf
Bi-directional buffer Capacitance	C _{BID}	--	3	--	pf
Junction Operation Temperature	T _J	0	25	115	°C
Operating Voltage Range	--	4.1	5	5.25	V
Operating Temperature	--	-40	--	85	°C

7.3 USB Transceiver Characteristics

Parameter	Symbol	Min	Typ	Max	Unit
Rise and Fall Times: (10%—90%) (90%—10%)	T _R	4	8	15	ns
	T _F	4	8	15	ns
Cross Point	V _{cr}	1.3	--	2.0	V
Output Impedance	R _D	23	28	33	ohm
High Level Output	V _{OH}	2.8	--	--	V
Low Level Output	V _{OL}	--	--	0.7	V
High Level Input	V _{OH}	2.0	--	--	V
Low Level Input	V _{OL}	--	--	0.8	V

- CL :50pf

7.4 Clock Characteristics

Parameter	Min	Typ	Max	Unit
Frequency of Operation	11.976	12.000	12.024	MHz
Clock Period	83.1	83.3	83.5	ns
Duty Cycle	45	50	55	%

8. PACKAGE DIMENSIONS (28-PIN SSOP)

SYMBOL	MILLIMETERS			INCH		
	MIN	NOM	MAX	MIN	NOM	MAX
b	0.22		0.38	0.009		0.015
E	7.40	7.80	8.20	0.291	0.307	0.323
E1	5.00	5.30	5.60	0.197	0.209	0.220
L	0.55	0.75	0.95	0.021	0.030	0.037
R1	0.09			0.004		

D	9.9	10.2	10.5	0.390	0.402	0.413
A			2.0			0.079
e		0.65			0.0256	
L1		1.25			0.050	
A1	0.05			0.020		
A2	1.65	1.75	1.85	0.065	0.069	0.073

