

2-Port RS-422/485 low profile PCI Express card with 3KV isolation protection

Introduction

The PCIe card which complies with the industrial standard. With this standard, this card can be assembled into a standard or even small-sized desktop case. The design of the multiple ports (RS-422/485) allows the PC connecting to other serial devices easily, and the maximum data transmission rate is up to 921.6Kbps. Besides, the built-in 15KV ESD and 3KV optical isolation protection prevent the damage from lightning or high potential voltage. For more information, please refer to this quick installation guide.

Specification

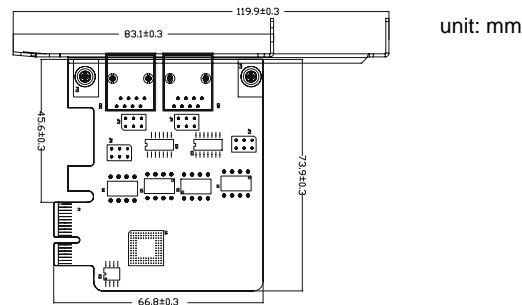
Ports	2xRS-422/485
Connector	8-pin RJ45
FIFO	256 bytes
ESD Protection	15 KV ESD, 3KV isolation
Serial Communication Speed	300bps ~ 921.6Kbps
Bus Interface	PCI Express
Operating Temperature	0~55°C
Operating Humidity	5~95% RH
Dimensions(LxWxH)	73.9 x 66.8mm
Regulatory Approvals	FCC/CE

Package contents

- PCIe Card x 1
- Low Profile Metal Bracket x 1
- RJ45 to DB9 Male Cable (50cm) x2
- CD (Driver & Manual) x 1
- Quick Installation Guide x 1

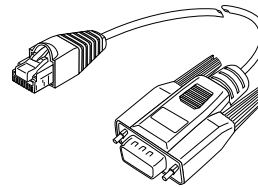


Product overview and dimensions



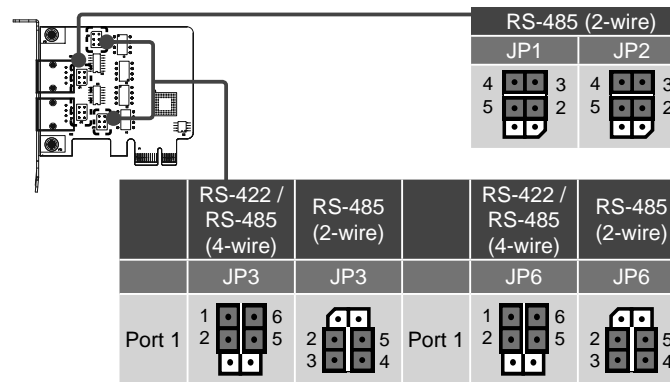
Cable diagram

RJ-45 to DB9



Jumper setting

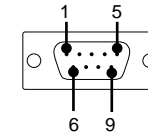
To setup the jumpers, please refer to the table below.



Pin assignments

RJ45		DB9	
Pin	Signal	Pin	Signal
1	DSR	5	RxD
2	RTS	6	DCD
3	GND	7	CTS
4	TxD	8	DTR

DB9



Pin	RS-422	RS-485 (4-wire)	RS-485 (2-wire)
1	TxD-(A)	TxD-(A)	Data-(A)
2	---	---	---
3	---	---	---
4	TxD+(B)	TxD+(B)	Data+(B)
5	GND	GND	---
6	RxD-(A)	RxD-(A)	---
7	RxD+(B)	RxD+(B)	---
8	---	---	---
9	---	---	---

Software installation

Note: This serial card must be plugged before installing the driver.

For Windows 2003/XP:

1. Insert the installation CD into the CD/DVD-ROM.
2. Select **Install from a list or specific location (Advanced)**.
3. Select **Search for the best driver in these locations**, and then tick the **Include this location in the search** checkbox. After that, click the **Browse** button to navigate the installation CD path as **\\Software\Windows XP-2003**.
4. Click **Continue Anyway** to skip the warning message.
5. The installation wizard will be started after the PCIe card has been detected. Please follow the on-screen instructions to finish the installation.
6. When the installation has been completed, open the computer's **Device Manager (Control Panel\System Properties\Hardware\Device Manager)**. If the installation is failed, a question mark or exclamation point will appear on the screen. Examine the **Even Log** as the first step to determine the problem.

For Windows 7:

1. Insert the installation CD in to the CD/DVD-ROM.
2. Highlight the exclamation point in **Other devices** item, and then right click the mouse to select **Update Driver Software from Device Management**.
3. Select **Browse my computer for driver software**.
4. Click the **Browse** button to navigate the installation CD path as **\\Software\Windows Win7** folder. (**Note:** tick **Include subfolders** if necessary)
5. Click **Install this driver software anyway** to continue if the **Windows Security** windows appears.
6. The installation wizard will be started after the PCIe card has been detected. Please follow the on-screen instructions to finish the installation.
7. When the installation has been completed, open the **Computer Management** window. If the installation is failed, a question mark or exclamation point will appear on the screen. Examine the **Even Log** as the first step to determine the problem.