

## GV-SD200-S Outdoor Speed Dome



- 2 MP progressive scan CMOS
- 18x Optical Zoom
- 8x Digital Zoom
- H.264 and MJPEG
- Full HD Real-time Resolution
- Two-way audio support on Web interface
- Removable IR Cut Filter
- Motion Detection
- Wide Dynamic Range (WDR)
- Digital Noise Reduction
- Ingress protection (IP66)
- ONVIF conformant

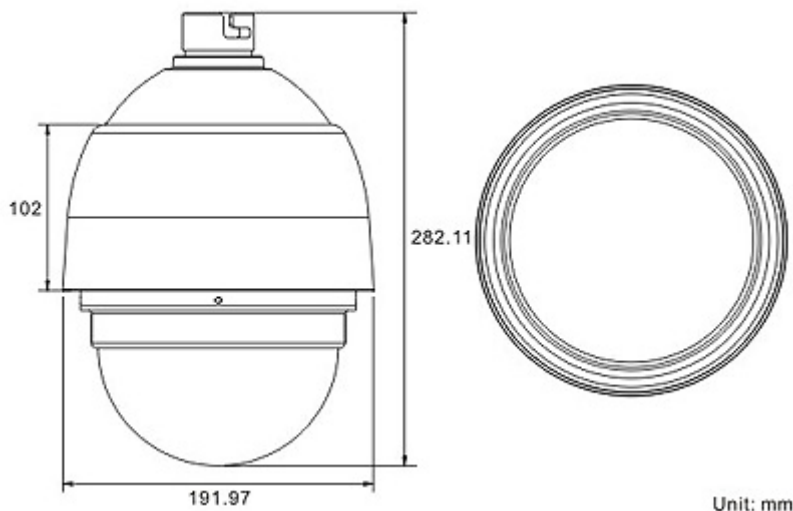
\* No SD/SDHC card slot & local storage function for Argentina

### INTRODUCTION

The full HD GV-IP Speed Dome provides variable pan/tilt speeds ranging from a fast patrol of 400° per second to a slow rotation of 5° per second with 0.225° pan accuracy for fast and accurate tracking ability. The 360° endless rotation and -10°~190° tilt travel can track objects passing directly beneath the GV-IP Speed Dome. A maximum of 256 preset points can be programmed for precise location of target areas, and users can also define 8 sequences, 4 auto-pan modes and 4 cruise routes for the Dome to operate automatically.

The GV-IP Speed Dome provides 4 alarm inputs and 2 alarm relay outputs, and the alarm management can be done through the network as well.

### Overview



## SPECIFICATIONS

Camera		
Sensor	1/2.8" Progressive Scan CMOS Sensor	
Optical Zoom	18X	
Digital Zoom	1~8x variable	
Focal Length	4.7 ~ 84.6 mm	
Focus Mode	Auto / Manual	
White Balance	Auto/ Indoor/ Outdoor/ ATW	
Iris Control	Auto / Manual	
Electronic Shutter	1/30 ~ 1/10000 sec.	
AGC control	Auto / Manual	
Back Light	On / Off	
Minimum Illumination	Color	0.05 lux at F/1.6
	B/W	0.01 lux at F/1.6
Video		
Video Codec	H.264, MJPEG	
Video Streaming	Single Stream	
Video Resolution	4:3	1024 x 768, 800 x 600, 640 x 480
	16:9	1920 x 1080, 1280 x 720
	5:4	1280 x 1024
	D1	720 x 576 / 720 x 480
	CIF	352 x 288 / 352 x 240
Frame Rate	30/25 fps (60/50 Hz) at 1920 x 1080; 30/25 fps (60/50 Hz) at 1280 x 720	
Audio		
Audio input/output	Two-way audio on Web interface	
Audio Codec	G.711	
Network		
Interface	10/100 Mb Ethernet (RJ-45)	
Protocol	IPv4, TCP/IP, UDP, RTP, RTSP, HTTP, HTTPS, ICMP, FTP, SMTP, DHCP, UPnP, IGMP, SNMP, QoS, ONVIF	
Mechanical		
Temperature Detector	No	
Connectors	Power	3-pin terminal block
	Ethernet	Ethernet (10/100 Base-T), RJ-45 Connector
	Audio	1 in 1 out (terminal block)
	Digital I/O	4 in 2 out (12-pin terminal block)
	Local Storage	Micro SD/SDHC memory card slot (for Class 6 card or above)
Web Interface		
Installation Management	Web-based configuration	
Maintenance	Firmware upgrade through Web Browser or IP Device Utility	
Language	English, French, German, Italian, Japanese, Korean, Portuguese, Russian, Simplified Chinese, Spanish and Traditional Chinese	
Operation		
Pan Travel	360° endless	
Tilt Travel	-10° ~ 190°	
Manual Speed	0.5° ~ 90°/s	
Presets	256	
Preset Accuracy	0.225°	
Preset Speed	5°~400°/s	
Sequence	8	
Auto Pan	4	
Cruise	8	
Privacy Mask	16	
Proportional Pan & Tilt	On/Off (Pan and tilt speed proportional to zoom ratio)	
Resume after Power loss	Yes	
Home Function	Preset, Sequence, Auto pan, Cruise	
Auto Flip	Digital / Mechanical / Off	
Digital Slow Shutter	On / Off	


Motion Detection	On / Off
Wide Dynamic Range	On / Off
Day/Night: IR Cut Filter	Auto / Manual
Digital Noise Reduction	On / Off
Digital Alarm Input	4
Digital Alarm Output	2
Alarm Reaction	Preset, Sequence, Auto pan, Cruise
<b>General</b>	
Operating Temperature	-40°C ~ 50°C / -40°F ~ 122°F
Dimensions	Ø191.97 x 228.1 mm / 7.55 x 11.1 in (with sunshield)
Weight	2.32 kg / 5.11 lb
Power Source	AC24V ± 10%
Power Consumption	65 W (with sunshield)
Heater	On: -7°C / 19.4°F ; Off: 3°C / 37.4°F
Regulatory	CE, FCC, RoHS, IP66

**Note:** Specifications are subject to change without notice.

### Accessory

Part Number	Number Name		Details
GV-MountD100	Straight Tube (25 cm)		Height: 250 mm / 9.8 in Diameter: 50 mm / 2 in Weight: 1 kg / 2.2 lb Supplied with rubber washer-8 x 1, pendent tube washer x 1, spring washer -8 x 1, waterproof rubber x 1, M8-12 screw x 1
GV-MountD101	Straight Tube (50 cm)		Height: 500 mm / 19.7 in Diameter: 50 mm / 2 in Weight: 1.8 kg / 4 lb Supplied with rubber washer-8 x 1, pendent tube washer x 1, spring washer -8 x 1, waterproof rubber x 1, M8-12 screw x 1
GV-MountD203 (w/o anti-drop wire)	Standard Pendent Mount		Dimensions (L x W x D): 348 x 104 x 138.6 mm / 13.7 x 4.1 x 5.5 in Weight: 1.5 kg / 3.3 lb Supplied with rubber washer-8 x 1, pendent tube washer x 1, spring washer-8 x 1, M8-12 screw x 1
GV-MountD300	Corner Plate Mount		Dimensions (L x W x D): 222 x 204 x 117 mm / 8.7 x 8 x 4.6 in Weight: 2 kg / 4.4 lb Supplied with washer-8 x 4, spring washer x 4, M8-16 screw x 4, M8 nut x 4
GV-MountD301	Corner Thin Box Mount		Dimensions (L x W x D): 300 x 164 x 222 mm / 11.8 x 6.5 x 8.7 in Weight: 3.05 kg / 6.7 lb Supplied with washer x 4, M8-16 screw x 4, spring washer x 4 Power Box can be set inside the thin box.

GV-MountD400	Pole Thin Box Mount		<p>Dimensions (L x W x D): 291 x 136 x 242 mm / 11.5 x 5.4 x 9.5 in</p> <p>Weight: 3.1 kg / 6.9 lb</p> <p>Supplied with M8-16 screw x 4, washer x 4, spring washer x 4, stainless steel straps x 4</p> <p>Power Box can be set inside the thin box.</p>
GV-MountD401	Pole Thin Direct Mount		<p>Dimensions (L x W x D): 232 x 136 x 60 mm / 9.1 x 5.4 x 2.4 in</p> <p>Diameter: 112~114 mm / 4.4 ~ 4.5 in</p> <p>Weight: 0.7 kg / 1.6 lb</p> <p>Supplied with stainless steel strap x 4, M8-16 screw x 4, washer x 4</p>
GV-MountD302	Wall Box Mount		<p>Dimensions (L x W x D): 270 x 166 x 95 mm / 10.6 x 6.5 x 3.7 in</p> <p>Weight: 2.2 kg / 4.84 lb</p> <p>Supplied with M8-16 screw x 4, washer x 4, spring washer x 4</p> <p>Power Box can be set inside the wall box.</p>
GV-MountD605	5.8" Smoke Cover		<p>Diameter: 145 mm / 5.7 in</p>
GV-MountD500	Power Box (Input: 110 -115V AC)		<p>Dimensions (L x W): 185.5 x 147 mm / 7.3 x 5.8 in</p> <p>Weight: 2.6 kg / 5.8 lb</p> <p>Output: 24VAC 72VA</p>
GV-MountD501	Power Box (Input: 220 -230V AC)		<p>Dimensions (L x W): 185.5 x 147 mm / 7.3 x 5.8 in</p> <p>Weight: 2.6 kg / 5.8 lb</p> <p>Output: 24VAC 72VA</p>
E57-A1030-100	Power Adaptor (Input: 100-115V AC)		<p>Dimensions (L x W): 131 x 90 mm / 5.16 x 3.54 in</p> <p>Weight: 1.47 kg / 3.23 lb</p> <p>Output: 24V AC 3A</p>
E57-A2030-110	Power Adaptor (Input: 220-230V AC)		<p>Dimensions (L x W): 131 x 90 mm / 5.16 x 3.54 in</p> <p>Weight: 1.47 kg / 3.23 lb</p> <p>Output: 24V AC 3A</p>
GV-MountD202 (w/o anti-drop wire)	Mini Pendant Mount		<p>(included in packing list)</p> <p>Dimensions (L x W x D): 184 x 104 x 115.2 mm / 7.24 x 4.09 x 4.54 in</p> <p>Weight: 0.6 kg / 1.2 lb</p> <p>Supplied with rubber washer-8 x 1, pendent tube washer x 1, spring washer-8 x 1, M8-12 screw x 1</p>

GV-MountD902	Outdoor Mounting Kit		( included in packing list ) Height: 73 mm / 2.87 in Diameter: 142.58 mm / 5.6 in Weight: 0.26 kg / 0.57 lb Supplied with Waterproof Rubber, T5/T10 Hexagon Key, M5 Stainless Screw x1, M5 Stainless Tamperproof Screw x1
--------------	----------------------	---	--

Packing List



**Camera Body**



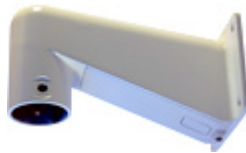
**Outdoor Mounting Kit  
(GV-MountD902)**



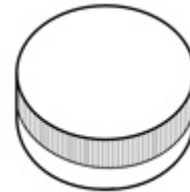
**Waterproof Rubber**



- M3 Standard Screw (x1)**
- M3 Security Screw (x1)**
- M5 Standard Screw (x1)**
- M5 Security Screw (x1)**
- Short Screw (x1)**



**Mini Pendant Mount  
(GV-MountD202)**



**Lubricant**



**Security Torx**



**Software DVD**

**Terminal Block  
Quick Start Guide**