

GV-FER521 5MP H.264 Fisheye Rugged IP Camera



Introduction

The GV-FER521 is an outdoor fisheye camera that allows you to monitor all angles of a location using just one camera. The distorted hemispherical image of the fisheye camera will be converted into the conventional rectilinear projection.

Without installing any software, you can watch live view and utilize functions such as motion detection, privacy mask, and alert notification through the Web interface using an IE browser. In addition, the GV-FER521 seamlessly integrates with the GV-System, providing advanced monitoring and video management features.

The GV-Fisheye IP Camera is designed to be mounted on the ceiling, wall or ground. There are two ways to mount the GV-FER521 on the ceiling, **Hard Ceiling Mount** and **In-Ceiling Mount**. In-Ceiling Mount allows the camera to be mounted into the ceiling, revealing a small portion of the camera.

Key Features

- 5MP progressive scan CMOS
- H.264 and MJPEG
- Digital Object Tracking
- Wide Dynamic Range (WDR)
- Defog
- Electronic Day/Night function
- Ingress protection (IP66)
- EN50155 compliance for rolling stock applications
- Vandal resistance (IK6)
- Provides 360 and 180 degrees panorama view
- No mechanical moving parts
- Built-in Web server for monitoring through IE browser
- Virtual PTZ function
- Auto Pan function
- Different angle of view accessible by multiple users at the same time
- Playback from any view angle and zoom level
- Privacy mask
- Visual automation
- Tampering alarm
- Two-way audio
- PoE
- Memory Card Slot
- 31 languages on Web interface
- ONVIF conformant

* No Memory Card Slot & local storage function for Argentina.

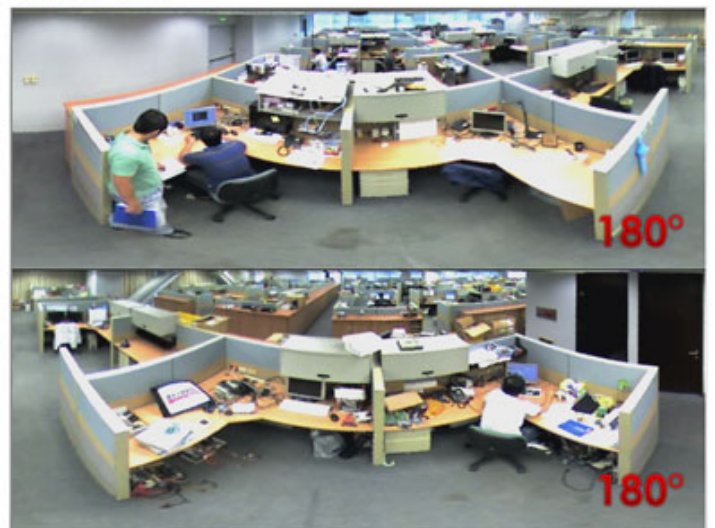
Fisheye Source Image



Single View



2 x 180° View



360° View

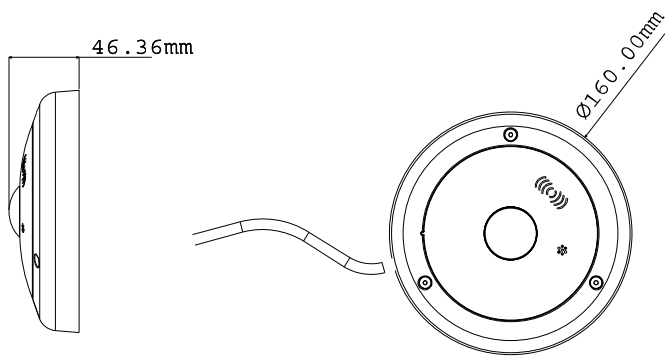


Quad View

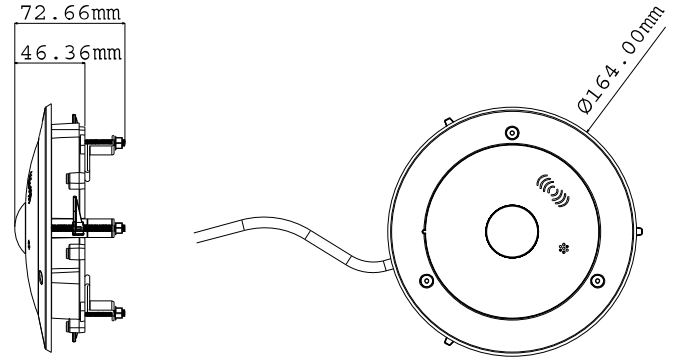


SPECIFICATIONS

Hard-Ceiling Mount



In-Ceiling Mount



System Requirements

OS	32-bit	Windows XP / Vista / 7 / Server 2008
	64-bit	Windows 7 / Server 2008
GV-System Version	GV-System V8.5.3.0 or later	
Browser	Internet Explorer 7.x or later	

Camera

Image Sensor	1/2.5" progressive scan CMOS	
Picture Elements	2560 (H) x 1920 (V)	
Minimum Illumination	Color	2 Lux at F/2.0
	B/W	
Shutter Speed	Automatic , Manual (1/5 – 1/8000 sec)	
White Balance	Automatic, Manual (2800K~8500K)	

Optics Lens

Megapixel	Yes	
Day/Night	Yes (electronic)	
Iris	Fixed Iris	
Focal Length	1.6 mm	
Aperture	F/2	
Mount	M12, Pitch 0.5 mm	
Image Format	4.7 mm (Image Circle)	
Operation	Focus	None
	Zoom	None
	Iris	Fixed

Operation

Video Compression	H.264, MJPEG
Video Streaming	Single stream from H.264 or MJPEG
Frame Rate	10 fps at 2560 x 1920
Image Setting	Brightness, Contrast, Sharpness, Gamma, White Balance, Flicker-less, Backlight Compensation, Image Orientation, Shutter Speed, Day / Night, WDR, Defog
Audio Compression	G.711, AAC (16 kHz / 16 bit)
Two-way Audio	Yes

Network

Interface	10/100 Ethernet
Protocol	HTTP, HTTPS, TCP, UDP, SMTP, FTP, DHCP, NTP, UPnP, DynDNS, RTSP, PSIA, SNMP, QoS (DSCP), ONVIF

Mechanical

Lens Mounting	M12, Pitch 0.5 mm / 0.02 in
Temperature Detector	Yes

Connectors	Power	PoE	
	Ethernet	Ethernet (10/100 Base-T), RJ-45 Connector	
	Audio	Built-in microphone and speaker	
	Auto Iris	None	
	Local Storage	Micro SD/SDHC/SDXC memory card slot (for Class 6 card or above)	
	TV-Out	None	
General			
Environment Temperature		-20 °C ~ 50 °C / -4 °F ~ 122 °F	
Humidity		10% to 90% (no condensation)	
Power Source		PoE (IEEE802.3af)	
Max. Power Consumption		5 W	
Dimensions	Camera Body	Hard-Ceiling Mount	ø 160 x 46.4 mm / 6.30 x 1.83 in
		In-Ceiling Mount	ø 160 x 46.4 mm / 6.30 x 1.83 in
	Cable Length		1 m / 3.28 ft
	Cable Diameter		ø 6.2 mm / 0.24 in
	Maximum Connector Diameter		ø 30 mm / 1.18 in
Weight		480 g / 1.06 lb	
Ingress Protection		IP66	
Vandal Resistance		IK6	
Regulatory		CE, FCC, C-Tick, EN50155, RoHS compliant	
Power over Ethernet			
PoE Standard		IEEE 802.3af Power over Ethernet / PSE	
PoE Power Supply Type		End-Span	
PoE Power Output		Per Port 48V DC, 350mA. Max. 15.4 watts	
Web Interface			
Installation Management		Web-based configuration	
Maintenance		Firmware upgrade through Web Browser or Utility	
Access from Web Browser		Camera live view, video recording, change video quality, bandwidth control, image snapshot, audio, Picture in Picture, Picture and Picture, Privacy Mask, Visual Automation, Tampering Alarm, Auto Pan function, virtual PTZ, motion detection, wide angle lens dewarping, text overlay	
Language		Arabic / Bulgarian / Czech / Danish / Dutch / English / Finnish / French / German / Greek / Hebrew / Hungarian / Indonesian / Italian / Japanese / Lithuanian / Norwegian / Persian / Polish / Portuguese / Romanian / Russian / Serbian / Simplified Chinese / Slovakian / Slovenian / Spanish / Swedish / Thai / Traditional Chinese / Turkish	
Applications			
Network Storage		GV-NVR, GV-System, GV-Backup Center, GV-Recording Server	
Live Viewing		IE, GV-MultiView	
CMS Server Support		GV-Control Center, GV-Center V2, GV-VSM	

Note: Specifications are subject to change without notice.