

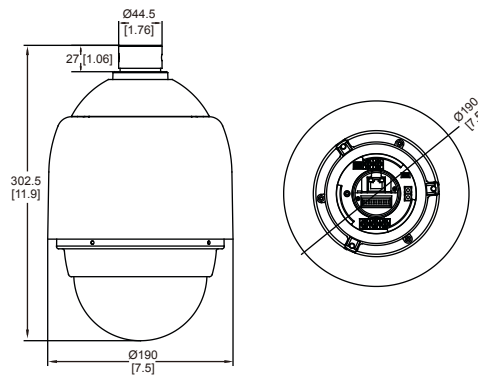
TCM-6630

36x Zoom H.264 IP D/N
Outdoor Speed Dome






- 1/4" Interlaced Scan CCD
- Day and night function with mechanical IR cut filter
- Minimum illumination 0.01 lux at F1.6
- 36x optical zoom
- 25/30 fps at full D1 resolution
- Selectable H.264, MPEG-4 SP, MJPEG compressions with dual streaming
- Two-way audio
- Video motion detection
- Digital input and digital output
- Wide Dynamic Range
- 2D+3D Digital noise reduction
- Analog video output with 650 TVL
- Weatherproof IP66 rated casing
- TCM-6630N (NTSC)
- TCM-6630P (PAL)

DIMENSION DIAGRAM



Unit: mm [inch]

ACCESSORY OPTIONS

Dome Cover		
PDCX-1001		5.8-inch, transparent, vandal proof
PDCX-0001		5.8-inch, transparent, non-vandal proof
PDCX-0103		5.8-inch, smoke, non-vandal proof

Popular Mounting Solutions		
Wall	PMAX-0307	
Pendant	PMAX-0109	
Corner	PMAX-0306 PMAX-0402	
Pole	PMAX-0306 PMAX-0502	

* For more mounting solutions, please refer to Mounting Accessory section of Buyer's Guide or Project Planner on www.acti.com

PRODUCT SPECIFICATION

TCM-6630

• Device

Device Type	Speed Dome Camera
Image Sensor	Interlaced Scan CCD
Sensor Size	1/4" (3.2 x 2.4 mm)
Horizontal Resolution	650 TVL
Day / Night	Yes
Minimum Illumination	Color: 0.1 lux; B/W: 0.01 lux
Color to B/W switch	DSP based switch, configurable
Mechanical IR Cut Filter	Yes
IR Sensitivity Range	700 - 1100 nm
IR LED	No
Electronic Shutter	1/1 - 1/10,000 sec (NTSC/PAL)

• Lens

Focal Length / Aperture	Zoom, f3.4 - 122.4 mm / F1.6 - 4.5
Iris	Auto iris
Focus	Auto focus
Horizontal Viewing Angle	57.8° - 1.7°

• PTZ

Zoom Ratio	36x optical; 12x digital
Zoom Speed	4 sec (1x to 36x) Manual
Manual Panning Speed	0.5° ~ 90° /s
Manual Tilting Speed	0.5° ~ 90° /s
Preset Panning Speed	5° ~ 400° /s
Preset Tilting Speed	5° ~ 400° /s
Panning Range	0° ~ 360° endless
Tilting Range	-10° ~ 190°
Control	Remote manual control; 256 preset points; 8 preset tours; auto scan
Preset Panning Accuracy	0.225°
Preset Tilting Accuracy	0.45°
Absolute Position	Yes
Protocol	DSCP, Pelco P, Pelco D, AD422, Philips, Kalatel, VCL, JVC, etc.

• Video

Compression	H.264, MPEG-4 SP, MJPEG
Maximum Frame Rate vs. Resolution	30 fps at 720 x 480 (Full D1, NTSC); 25 fps at 720 x 576 (Full D1, PAL) 30 fps at 352 x 240 (CIF, NTSC); 25 fps at 352 x 288 (CIF, PAL) 30 fps at 160 x 112 (QCIF, NTSC); 25 fps at 176 x 144 (QCIF, PAL)
Multi-Streaming	Simultaneous dual streams based on two configurations
Bit Rate	28 Kbps - 6 Mbps (per stream)
Bit Rate Mode	Constant, Variable
S/N Ratio	More than 50 dB
Image Enhancement	Wide dynamic range; Backlight compensation; White balance: automatic, predefined and manual; Brightness; Saturation; Contrast; Automatic gain control; 2D+3D Digital noise reduction
Privacy Mask	16 configurable regions
Text Overlay	User defined text on video
Image Orientation	Image flip and mirror

• Audio

Compression	8 kHz, Mono, PCM, 16 bit encoding
Audio-In	3.5 mm Phone Jack
Audio-Out	3.5 mm Phone Jack

• Network

Protocol & Service	TCP, UDP, HTTP, HTTPS, DHCP, PPPoE, RTP, RTSP, IPv6, DNS, DDNS, NTP, ICMP, ARP, IGMP, SMTP, FTP, UPnP
Ethernet Port	1, Ethernet (10/100 Base-T), RJ-45 connector
Security	IP address filtering; HTTPS encryption; Password protected user levels; IEEE 802.1X network access control

• Alarm

Alarm Trigger	Video motion detection (3 regions); External device through digital input
Alarm Response	Notify control center; Go to PTZ preset point or preset tour; Change camera settings; Command other devices; E-mail notification with snapshots; Upload video, snapshot to FTP server; Activate external device through digital output

• Interface

Analog Video Output	1, CVBS, 1.0Vp-p with 75 Ω BNC connector
Digital Input	8, terminal block
Digital Output	1, terminal block

• General

Power Source / Consumption	AC 24V / 65 W (heater on)
Weight	5800 g (12.9 lb)
Dimensions (Ø x H)	172 mm x 302.5 mm (6.7" x 11.9"); 190 mm x 302.5 mm (7.5" x 11.9") with sunshield
Environmental Casing	Weatherproof (IP66 rated); Transparent dome cover
Mount Type	Pendant, Wall, Corner, Pole
Operating Temperature	-45 °C ~ 50 °C (-49 °F ~ 122 °F)
Operating Humidity	10% ~ 85% RH
Approvals	Camera: CE, FCC, IP66; Adapter: CE, TUV-GS, UL, RCM, CCC

• Integration

Unified Solution	Fully compatible with ACTi software
ISV Integration	Software Development Kit (SDK) available; ONVIF Compliant
Firmware Access Browser	Microsoft Internet Explorer 6.0 or newer