

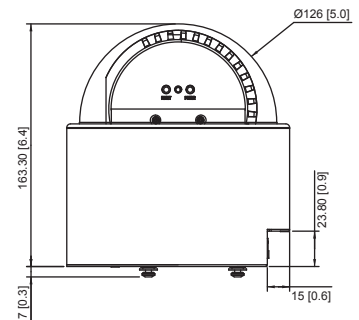
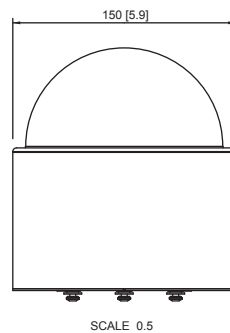
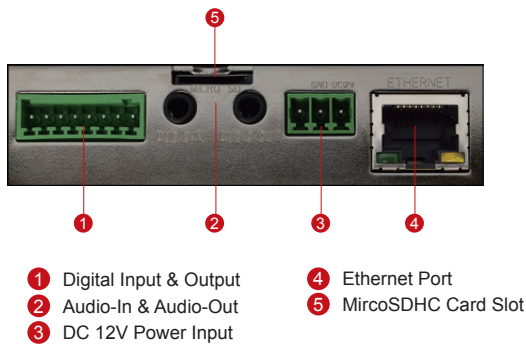
KCM-8111

2M Indoor PTZ with D/N,
Advanced WDR, SLLS, 18x Zoom lens



- Progressive Scan CMOS
- Day and night function with mechanical IR cut filter
- Superior low light sensitivity
- Minimum illumination 0.05 lux at F1.6
- 18x optical Zoom
- 15 fps at 1920 x 1080 resolution
- Selectable H.264, MPEG-4 SP, MJPEG compressions with dual streaming
- Two-way audio
- Digital input and digital output
- Advanced WDR
- 2D+3D digital noise reduction
- Video Motion Detection
- Powered by High PoE / DC 12V

DIMENSION DIAGRAM



Unit: mm [inch]

ACCESSORY OPTIONS

Dome Cover		
PDCX-1105		5.91-inch, transparent, non-vandal proof

High PoE Injector		
PPOE-0100		High PoE Injector, IEEE 802.3at Power over Ethernet 3 different connectors included

Popular Mounting Solutions		
Surface	Bundled surface mount	
Wall	PMAX-0311	
Pendant	PMAX-0110 PMAX-0103	
Flush	PMAX-1010	

* For more mounting solutions, please refer to Mounting Accessory section of Buyer's Guide or Project Planner on www.acti.com

PRODUCT SPECIFICATION

KCM-8111

• Device

Device Type	Indoor PTZ Camera
Image Sensor	Progressive Scan CMOS
Day / Night	Yes
Minimum Illumination	Color: 0.1 lux at F1.6 (30 IRE, 2400 °K); B/W: 0.05 lux at F1.6
Color to B/W switch	ISP based switch, configurable
Mechanical IR Cut Filter	Yes
IR Sensitivity Range	700 - 1100 nm
IR LED	No
Electronic Shutter	1/25 - 1/2000 sec (50Hz); 1/15 - 1/2000 sec (60Hz) (manual mode); 1- 1/2000 sec (auto mode)

• Lens

Focal Length	Zoom, f4.7 - 84.6 mm / F1.6 - 2.8
Iris	DC Iris
Focus	Auto Focus
Horizontal Viewing Angle	48.94° ~ 3.61°

• PTZ

Zoom Ratio	18x optical
Zoom Speed	2 sec (1x ~18x)
Manual Panning Speed	0.5° ~ 90°/S
Manual Tilting Speed	0.5° ~ 90°/S
Preset Panning Speed	0.5° ~ 450°/S
Preset Tilting Speed	0.5° ~ 450°/S
Panning Range	350° (360° pan via Auto-flip)
Tilting Range	0°~180°
Control	Remote manual control; 64 preset point; 10 preset tours
Preset Panning Accuracy	0.265°
Preset Tilting Accuracy	0.265°
Absolute Position	Yes
Protocol	Sony VISCA, Pelco D

• Video

Compression	H.264, MPEG-4 SP, MJPEG
Maximum Frame Rate vs. Resolution (H.264, MJPEG)	15 fps at 1920 x 1080 (Full HD 1080p) ; 30 fps at 1280 x 720 (HD 720p) ; 30 fps at 640 x 480 (VGA)
Maximum Frame Rate vs. Resolution (MPEG-4 SP)	10 fps at 1920 x 1080 (Full HD 1080p); 24 fps at 1280 x 720 (HD 720p) ; 30 fps at 640 x 480 (VGA)
Multi-Streaming	Simultaneous dual streams based on two configurations
Bit Rate	28 Kbps - 6 Mbps (per stream)
Bit Rate Mode	Constant, Variable
Image Enhancement	Advanced WDR; White balance: automatic, hold and manual; Brightness; Saturation; Contrast; Sharpness; Automatic gain control; 2D+3D Digital Noise Reduction; Flickerless; Defogging
Text Overlay	User defined text on video
Image Orientation	Image flip and mirror

• Audio

Audio	2-way
Compression	8 kHz, Mono, PCM, 16 bit encoding; G.711
Audio-In	3.5mm Phone Jack
Audio-Out	3.5mm Phone Jack

• Network

Protocol & Service	TCP, UDP, HTTP, HTTPS, DHCP, PPPoE, RTP, RTSP, IPv6, DNS, DDNS, NTP, ICMP, ARP, IGMP, SMTP, FTP, UPnP, Bonjour
Ethernet Port	1, Ethernet (10/100Base-T), RJ-45 connector
Security	IP address filtering; HTTPS encryption; Password protected user levels; IEEE 802.1X network access control

• Alarm

Alarm Trigger	Video motion detection (3 regions); External device through digital input
Alarm Response	Notify control center; Go to PTZ preset point or preset tour; Change camera settings; Command other devices; E-mail notification with snapshots; Save video or snapshot to local storage; Upload video, snapshot to FTP server; Activate external device through digital output

• Interface

Digital Input	2, terminal block
Digital Output	2, terminal block
Local Storage	MicroSDHC memory card slot (card not included)

• General

Power Source / Consumption	High PoE (IEEE802.3at) / 19.2 W DC 12V / 15W
Weight	1500g
Dimensions (Φ x H)	126 mm x 163 mm (5" x 6.4")
Bundled Accessories	Power Adapter
Environmental Casing	Transparent dome cover
Mount Type	Surface, Flush, Pendant, Wall, Corner, Pole
Operating Temperature	-10 °C ~ 50 °C (-14 °F ~ 122 °F)
Operating Humidity	10% ~ 85% RH
Approvals	Camera: CE, FCC Adapter: CE, FCC, UL, PSE, EFFICIENCY LEVEL V

• Integration

Unified Solution	Fully compatible with ACTI software
ISV Integration	Software Development Kit (SDK) available
Firmware Access Browser	Microsoft Internet Explorer 6.0 or newer

* All specifications are subject to change without notice.

* All brand names and registered trademarks are the property of their respective owners.

www.acti.com

