

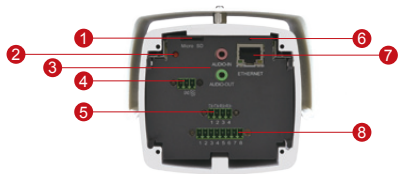
# KCM-5611

2M Outdoor Box with D/N, IR, Advanced WDR, SLLS, 18x Zoom lens



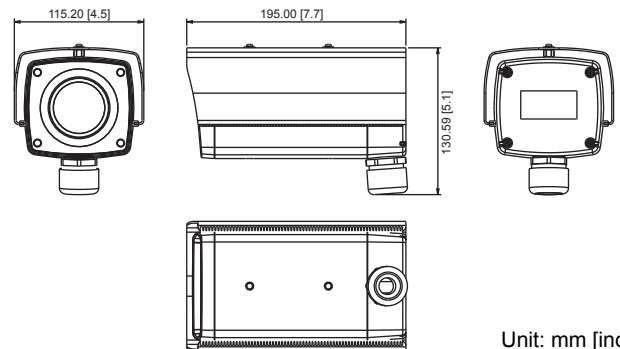
- 1/2.8" Progressive Scan CMOS
- Day and night function with mechanical IR cut filter
- Superior low light sensitivity
- Minimum illumination 0 lux with IR LED on
- 18x optical Zoom
- Built-in f4.7- 84.6 mm / F1.6 Megapixel DC Iris zoom lens
- 15 fps at 1920 x 1080 resolution
- Selectable H.264, MPEG-4 SP, MJPEG compressions with dual streaming
- Serial port for external pan & tilt scanner
- Two-way audio
- Weatherproof IP66 rated casing
- Advanced WDR
- 2D+3D Digital Noise Reduction
- Video Motion Detection
- Powered by PoE Class 3 / DC 12V

## PHOTO INDICATION



- |                        |                          |
|------------------------|--------------------------|
| 1 MicroSDHC Card Slot  | 5 Serial Port            |
| 2 Power LED            | 6 Reset Button           |
| 3 Audio Input / Output | 7 Ethernet Port          |
| 4 DC 12V Power Input   | 8 Digital Input / Output |

## DIMENSION DIAGRAM



## ACCESSORY OPTIONS

### Camera Bracket

PMAX-1101



Aluminum, max. load 10 kg (22.05 lb), tilt angle 90°, swivel angle 360°

### Power Adapter

PPBX-0002



Universal Power Adapter, 100~240V, 4 different connectors included

### Pan & Tilt Scanner

Third party Pan & Tilt Scanners available at: [www.acti.com/pantilt/](http://www.acti.com/pantilt/)

### Popular Mounting Solutions

Corner	PMAX-1101 PMAX-0402	
Pole	PMAX-1101 PMAX-0502	

\* For more mounting solutions, please refer to Mounting Accessory section of Buyer's Guide or Project Planner on [www.acti.com](http://www.acti.com)

## PRODUCT SPECIFICATION

## KCM-5611

## • Device

Device Type	Box Camera
Image Sensor	Progressive Scan CMOS
Sensor Size	1/2.8" (5.42 x 3.41 mm)
Horizontal Resolution	974 TVL
Day / Night	Yes
Minimum Illumination	Color: 0.1 lux at F1.6 (30 IRE, 2400 °K) B/W: 0 lux (IR LED on)
Color to B/W switch	ISP based switch, configurable
Mechanical IR Cut Filter	Yes
IR Sensitivity Range	700 - 1100 mm
IR LED	IR LED x 24 (850 nm)
IR Working Distance	20m (0 lux, 30 IRE, Max Exposure Gain)
Electronic Shutter	1/13 - 1/2000 sec (50Hz); 1/15 - 1/2000 sec (60Hz) (manual mode) 1 - 1/2000 sec (auto mode)

## • Lens

Focal Length	Zoom, f4.7 - 84.6 mm / F1.6 - 2.8
Zoom Ratio	18x optical
Iris	DC Iris
Focus	Auto Focus
Horizontal Viewing Angle	48.94° - 3.61°

## • Video

Compression	H.264, MPEG-4 SP, MJPEG
Maximum Frame Rate vs. Resolution (H.264, MJPEG)	15 fps at 1920 x 1080, 30 fps at 1280 x 720, 30 fps at 640 x 480
Maximum Frame Rate vs. Resolution (MPEG-4 SP)	11 fps at 1920 x 1080, 25 fps at 1280 x 720, 30 fps at 640 x 480
Multi-Streaming	Simultaneous dual streams based on two configurations
Bit Rate	28 Kbps - 6 Mbps (per stream)
Bit Rate Mode	Constant, Variable
Image Enhancement	Advanced WDR; White balance: automatic, hold and manual; Brightness; Saturation; Contrast; Sharpness; Automatic gain control; 2D+3D Digital Noise Reduction; Flickerless; Defogging
Privacy Mask	4 configurable regions
Text Overlay	User defined text on video
Image Orientation	Image flip and mirror

## • Audio

Compression	8 kHz, Mono, PCM, 16 bit encoding; G.711
Audio-In	3.5mm Phone Jack
Audio-Out	3.5mm Phone Jack

## • Network

Protocol & Service	TCP, UDP, HTTP, HTTPS, DHCP, PPPoE, RTP, RTSP, IPv6, DNS, DDNS, NTP, ICMP, ARP, IGMP, SMTP, FTP, UPnP, Bonjour, Pelco-D
Ethernet Port	1, Ethernet (10/100Base-T), RJ-45 connector
Security	IP address filtering; HTTPS encryption; Password protected user levels; IEEE 802.1X network access control

## • Alarm

Alarm Trigger	Video motion detection (3 regions); External device through digital input
Alarm Response	Notify control center; Go to Zoom preset point or preset tour; Change camera settings; Command other devices; E-mail notification with snapshots; Save video or snapshot to local storage; Upload video, snapshot to FTP server; Activate external device through digital output

## • Interface

Digital Input	2, terminal block
Digital Output	2, terminal block
Serial Port	RS-485, RS-422, terminal block
Local Storage	MicroSDHC memory card slot (card not included)

## • General

Power Source / Consumption	PoE Class 3 (IEEE802.3af) / 10.7 W (IR on) DC 12V / 8.5W (adapter not included)
Weight	1324g ( 2.92 lb)
Dimensions (W x H x D)	115.20 mm x 130.59 mm x 195.00 mm (4.50" x 5.10" x 7.70")
Environmental Casing	Weatherproof (IP66 rated)
Operating Temperature	- 30 °C ~ 50 °C ( -22 °F ~ 122 °F)
Operating Humidity	10%~ 85% RH
Approvals	Camera: CE, FCC, IP66

## • Integration

Unified Solution	Fully compatible with ACTi software
ISV Integration	Software Development Kit (SDK) available
Firmware Access Browser	Microsoft Internet Explorer 6.0 or newer