

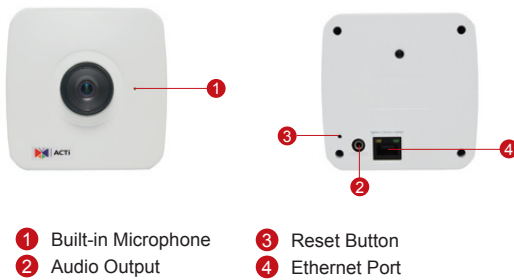
E13

5MP Cube with Basic WDR, Fixed lens



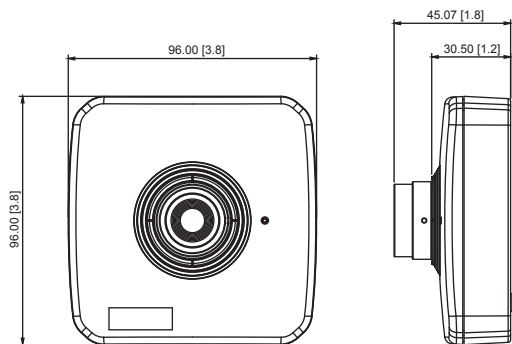
- Progressive Scan CMOS
- Minimum illumination 0.1 lux at F2.0
- Built-in f2.8mm / F2.0 Megapixel fixed lens
- 15 fps at 2592 x 1944 resolution
- Selectable H.264 HP, MJPEG compressions with dual streaming
- Two-way audio
- Video motion detection
- Powered by PoE Class 2

PHOTO INDICATION



- 1 Built-in Microphone
- 2 Audio Output
- 3 Reset Button
- 4 Ethernet Port

DIMENSION DIAGRAM



Unit: mm [inch]

ACCESSORY OPTIONS

Lens

PLEN-0101



IR Compatible, Fixed Iris, F1.8, f4.2mm, 62°

PRODUCT SPECIFICATION

E13

• Device

Device Type	Cube Camera
Image Sensor	Progressive Scan CMOS
Day / Night	No
Minimum Illumination	Color: 0.1 lux at F2.0 (30 IRE, 2400 °K)
Mechanical IR Cut Filter	No
IR Sensitivity Range	No
Electronic Shutter	1/5 - 1/2,000 sec (Manual / Auto mode)

• Lens

Focal Length / Aperture	Fixed focal, f2.8 mm / F2.0
Iris	Fixed iris
Focus	Manual focus
Lens Mount	CS Mount (interchangeable lens)
Horizontal Viewing Angle	81.6°

• Video

Compression	H.264 HP, MJPEG
Maximum Frame Rate vs. Resolution	15fps at 2592 x 1944; 15fps at 2048 x 1536; 30 fps at 1920 x 1080 (Full HD 1080p); 30 fps at 1280 x 720 (HD 720p); 30 fps at 640 x 480 (VGA)
Multi-Streaming	Simultaneous dual streams based on two configurations
Bit Rate	28 Kbps - 6 Mbps (per stream)
Bit Rate Mode	Constant, Variable
Image Enhancement	Basic WDR; White balance: automatic, hold, and manual; Brightness; Contrast; Automatic gain control; Digital noise reduction; Flickerless
Privacy Mask	4 configurable regions
Text Overlay	User defined text on video
Image Orientation	Image flip and mirror

• Audio

Compression	8kHz, Mono, PCM, 16 bit encoding; G.711
Audio-In	Built-in Microphone
Audio-Out	3.5mm Phone Jack

• Network

Protocol & Service	TCP, UDP, HTTP, HTTPS, DHCP, PPPoE, RTP, RTSP, IPv6, DNS, DDNS, NTP, ICMP, ARP, IGMP, SMTP, FTP, UPnP, SNMP, Bonjour
Ethernet Port	1, Ethernet (10/100 Base-T), RJ-45 connector
Security	IP address filtering; HTTPS encryption; Password protected user levels; IEEE 802.1X network access control

• Alarm

Alarm Trigger	Video motion detection (3 regions)
Alarm Response	Notify control center; Change camera settings; Command other devices; E-mail notification with snapshots; Upload video, snapshot to FTP server

• General

Power Source / Consumption	PoE Class 2 (IEEE802.3af) / 3.67 W
Weight	205 g (0.45 lb)
Dimensions (W x H x D)	96mm x 96mm x 45.07mm (3.8" x 3.8" x 1.8")
Bundled Accessories	Bracket
Mount Type	Wall, Ceiling
Operating Temperature	-10 °C ~ 45 °C (14 °F ~ 113 °F)
Operating Humidity	10% ~ 85% RH
Approvals	CE, FCC

• Integration

Unified Solution	Fully compatible with ACTi software
ISV Integration	Software Development Kit (SDK) available; ONVIF compliant
Firmware Access Browser	Microsoft Internet Explorer 6.0 or newer