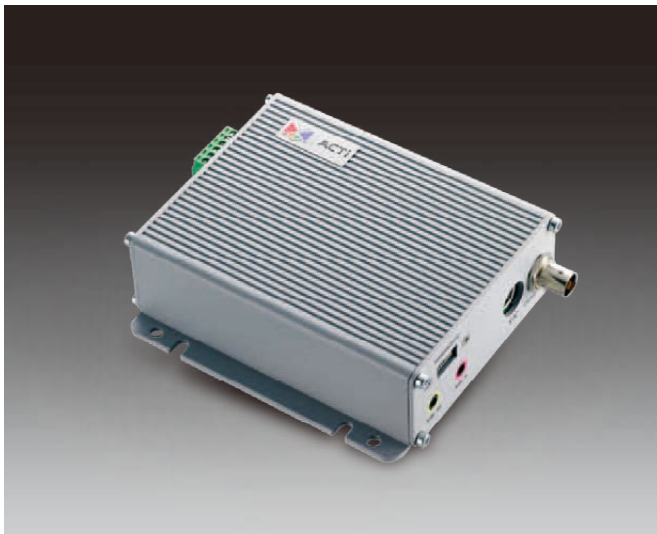


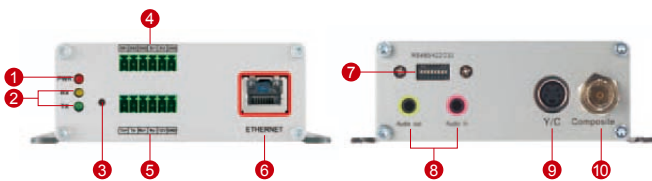
ACD-3100

1-channel MPEG-4 Video Decoder



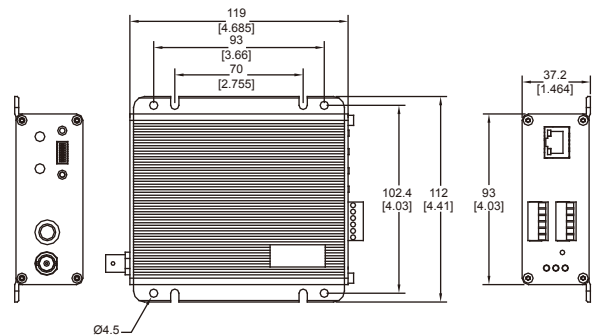
- 25/30 fps at full D1 resolution
- MPEG-4 SP, ASP decompression
- Two-way audio
- Video motion detection
- Digital input and digital output
- Serial ports for PTZ control panel

PHOTO INDICATION



- 1 Power LED
- 2 Serial Port LED
- 3 Reset Button
- 4 Digital Input / Output
- 5 Serial Port & DC 12V Power Input
- 6 Ethernet Port
- 7 Serial Port Setting
- 8 Audio Input / Output
- 9 Analog Video Output (Y/C)
- 10 Analog Video Output (Composite)

DIMENSION DIAGRAM



Unit: mm [inch]

ACCESSORY OPTIONS

Rackmount Kit

RMK-2000



19-inch (4U) rackmount kit with 8 built-in cooling fans, powered by 100-240V AC adapter. Supports up to 8 devices.

- Front-Bezel (R306-00004-000) option to cover the slot of video encoder
- Front-Bezel (R306-00007-000) option to cover the blank slot

RMK-3000



19-inch (4U) rackmount kit. Supports up to 8 devices.

- Front-Bezel (R306-00014-000) option to cover the slot of video encoder
- Front-Bezel (R306-00009-000) option to cover the blank slot

PRODUCT SPECIFICATION**ACD-3100****• Device**

Device Type	Video Decoder
Number of Channels	1

• Video

Decompression	MPEG-4 SP, MPEG-4 ASP
Maximum Frame Rate vs. Resolution	30 fps at 720 x 480 (Full D1, NTSC); 25 fps at 720 x 576 (Full D1, PAL)

• Audio

Compression	8 kHz, Mono, PCM, 16 bit encoding
Audio-In	3.5 mm Phone Jack
Audio-Out	3.5 mm Phone Jack

• Network

Protocol & Service	TCP, UDP, HTTP, HTTPS, DHCP, PPPoE, RTP, RTSP, DNS, DDNS, NTP, ICMP, ARP, IGMP, SMTP, FTP, UPnP, SNMP, Bonjour
Ethernet Port	1, Ethernet (10/100 Base-T), RJ-45 connector
Security	IP address filtering; HTTPS encryption; Password protected user levels

• Interface

Analog Video Output	2, CVBS, 1.0Vp-p with 75 Ω loading BNC connector; Y/C, 0.286Vp-p with 75 Ω loading S-video connector
Serial Port	RS-485, RS-422, RS-232, terminal block

• General

Power Source / Consumption	DC 12V ±10% / 3.8 W
Weight	350 g (0.77 lb)
Dimensions (W x H x D)	112 mm x 37.2 mm x 119 mm (4.41" x 1.46" x 4.68")
Operating Temperature	0°C ~ 50°C (32°F ~ 122°F)
Operating Humidity	10% ~ 85% RH
Approvals	Video Decoder: CE, FCC; Adapter: CE, TUV-GS, UL, RCM, CCC

• Integration

Unified Solution	Fully compatible with ACTi software
ISV Integration	Software Development Kit (SDK) available
Firmware Access Browser	Microsoft Internet Explorer 6.0 or newer