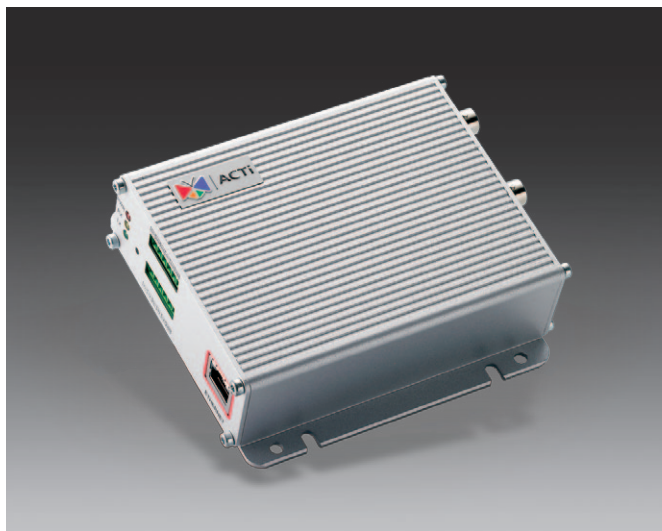


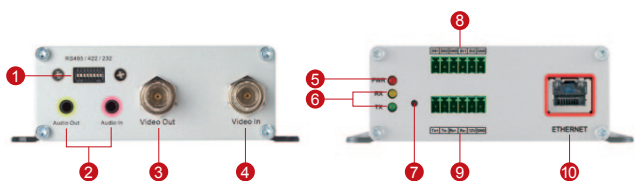
# ACD-2100

1-channel MPEG-4 Video Encoder



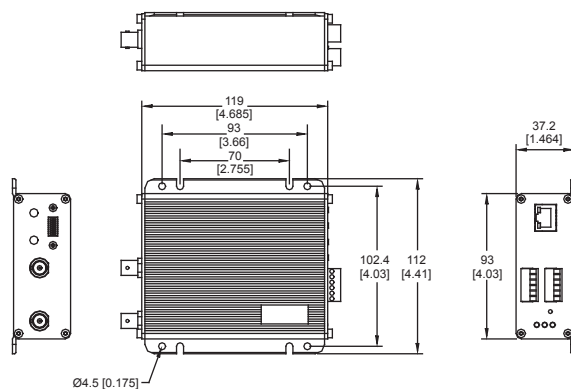
- 25/30 fps at full D1 resolution
- Selectable MPEG-4 SP, MJPEG compressions
- Two-way audio
- Video motion detection
- Digital input and digital output
- Serial ports for PTZ control
- Analog video output

## PHOTO INDICATION



- |                        |                   |  |
|------------------------|-------------------|--|
| 1 Serial Port Setting  | 5 Power LED       | 8 Digital Input / Output                 |
| 2 Audio Input / Output | 6 Serial Port LED | 9 Serial Port Input & DC 12V Power Input |
| 3 Analog Video Output  | 7 Reset Button    | 10 Ethernet Port                         |
| 4 Analog Video Input   |                   |  |



## DIMENSION DIAGRAM



Unit: mm [inch]

## ACCESSORY OPTIONS

### Rackmount Kit

|   |  |
|---|--|
| <p>RMK-2000</p>  | <p>19-inch (4U) rackmount kit with 8 built-in cooling fans, powered by 100-240V AC adapter. Supports up to 8 devices.<br/>                 *Front-Bezel (R306-00004-000) option to cover the slot of video encoder<br/>                 *Front-Bezel (R306-00007-000) option to cover the blank slot</p> |
| <p>RMK-3000</p>  | <p>19-inch (4U) rackmount kit. Supports up to 8 devices.<br/>                 *Front-Bezel (R306-00014-000) option to cover the slot of video encoder<br/>                 *Front-Bezel (R306-00009-000) option to cover the blank slot</p>  |

# ACD-2100

## PRODUCT SPECIFICATION

### ACD-2100

#### • Device

|                    |               |
|--------------------|---------------|
| Device Type        | Video Encoder |
| Number of Channels | 1             |

#### • PTZ

|          |  |
|----------|--|
| Protocol | Pelco-D, Pelco-P V1 and V2, Dynacolor, Sony VISCA, American Dynamics |
|----------|--|

#### • Video

|                                   |  |
|-----------------------------------|--|
| Compression                       | MPEG-4 SP, MJPEG   |
| Maximum Frame Rate vs. Resolution | 30 fps at 720 x 480 (Full D1, NTSC); 25 fps at 720 x 576 (Full D1, PAL)<br>30 fps at 640 x 480 (VGA, NTSC); 25 fps at 640 x 480 (VGA, PAL)<br>30 fps at 352 x 240 (CIF, NTSC); 25 fps at 352 x 288 (CIF, PAL)<br>30 fps at 160 x 112 (QCIF, NTSC); 25 fps at 176 x 144 (QCIF, PAL) |
| Multi-Streaming                   | Multiple streams based on single configuration   |
| Bit Rate                          | 28 Kbps - 3 Mbps (per stream)  |
| Bit Rate Mode                     | Constant, Variable   |
| Image Enhancement                 | Brightness; Saturation; Contrast   |
| Privacy Mask                      | 1 configurable region  |
| Text Overlay                      | User defined text on video   |

#### • Audio

|             |                                   |
|-------------|-----------------------------------|
| Compression | 8 kHz, Mono, PCM, 16 bit encoding |
| Audio-In    | 3.5 mm Phone Jack                 |
| Audio-Out   | 3.5 mm Phone Jack                 |

#### • Network

|                    |  |
|--------------------|--|
| Protocol & Service | TCP, UDP, HTTP, HTTPS, DHCP, PPPoE, RTP, RTSP, DNS, DDNS, NTP, ICMP, ARP, IGMP, SMTP, FTP, UPnP, SNMP, Bonjour |
| Ethernet Port      | 1, Ethernet (10/100 Base-T), RJ-45 connector   |
| Security           | IP address filtering; HTTPS encryption; Password protected user levels; IEEE 802.1X network access control     |

#### • Alarm

|                |  |
|----------------|--|
| Alarm Trigger  | Video motion detection (3 regions); External device through digital input  |
| Alarm Response | Notify control center; Go to PTZ preset point or preset tour; Change camera settings;<br>Command other devices; E-mail notification with snapshots; Upload video, snapshot to FTP server;<br>Activate external device through digital output |

#### • Interface

|                     |   |
|---------------------|---|
| Analog Video Input  | 1, CVBS, 1.0Vp-p with 75Ω BNC connector |
| Analog Video Output | 1, CVBS, 1.0Vp-p with 75Ω BNC connector |
| Digital Input       | 2, terminal block                       |
| Digital Output      | 2, terminal block                       |
| Serial Port         | RS-485, RS-422, RS-232, terminal block  |

#### • General

|                            |  |
|----------------------------|--|
| Power Source / Consumption | DC 12V ±10% / 3.8 W  |
| Weight                     | 350 g (0.77 lb)  |
| Dimensions (W x H x D)     | 112 mm x 37.2 mm x 119 mm (4.41" x 1.46" x 4.68")                                    |
| Operating Temperature      | ACD-2100: 0 °C ~ 50 °C (32 °F ~ 122 °F); ACD-2100T: -30 °C ~ 70 °C (-22 °F ~ 158 °F) |
| Operating Humidity         | 10% ~ 85% RH   |
| Approvals                  | Video Encoder: CE, FCC; Adapter: CE, TUV-GS, UL, RCM, CCC                            |

#### • Integration

|                         |  |
|-------------------------|--|
| Unified Solution        | Fully compatible with ACTi software      |
| ISV Integration         | Software Development Kit (SDK) available |
| Firmware Access Browser | Microsoft Internet Explorer 6.0 or newer |